

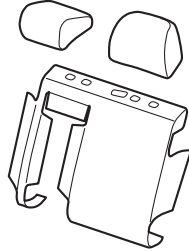


# INSTALLATION INSTRUCTIONS

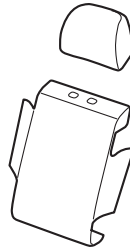
<b>Accessory</b> <b>REAR SEAT COVERS</b> <b>P/N 08P32-TZ3-200</b>	<b>Application</b> <b>2016 TLX</b>	<b>Publications No.</b> <b>VERSION 1</b>
		<b>Issue Date</b> <b>SEP 2015</b>

## PARTS LIST

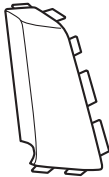
Left seat-back cover



Right seat-back cover



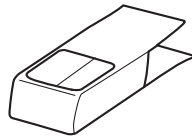
Left seat side bolster cover



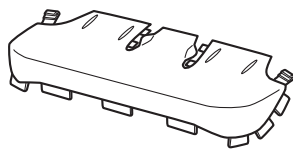
Right seat side bolster cover



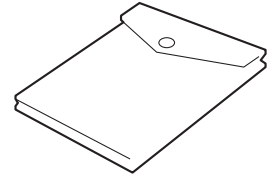
Armrest cover



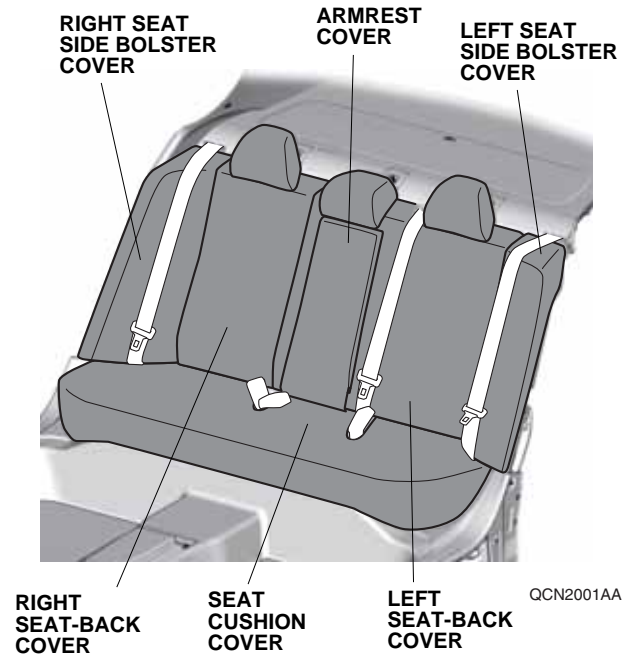
Seat cushion cover



Bag



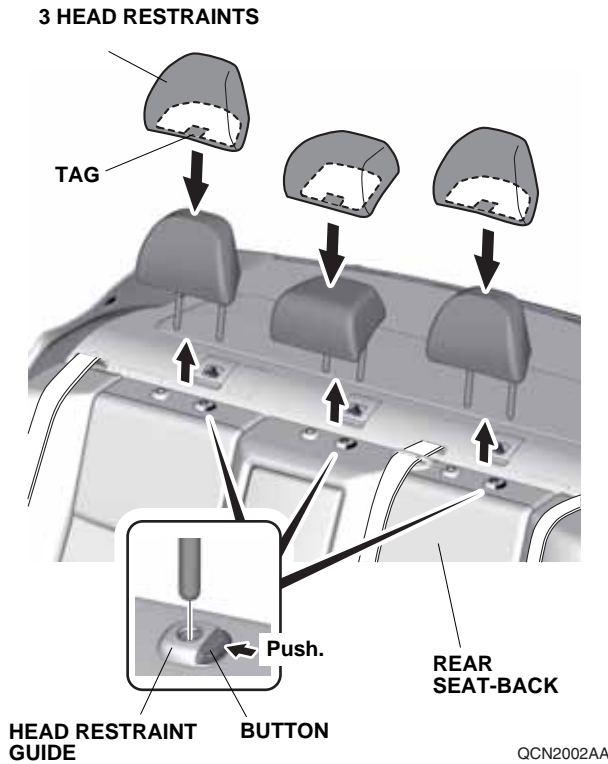
## Illustration of the Rear Seat Covers on the Vehicle



## INSTALLATION

### Installing the Head Restraints Covers

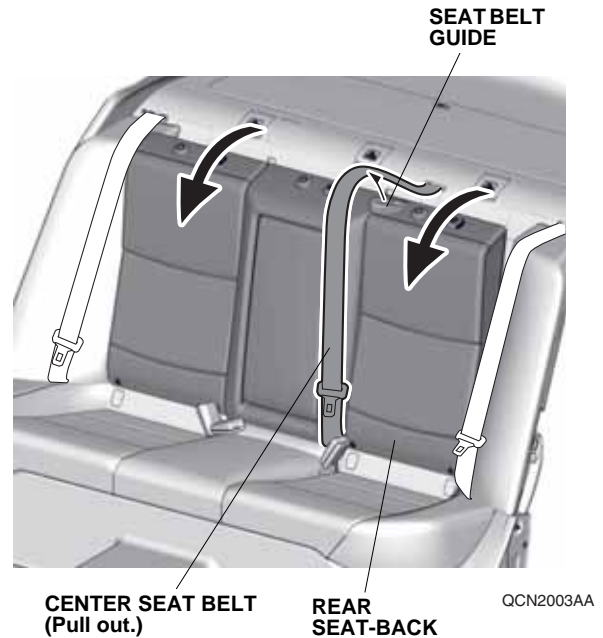
1. While pressing on each head restraint guide button, remove the head restraints by pulling them upward.



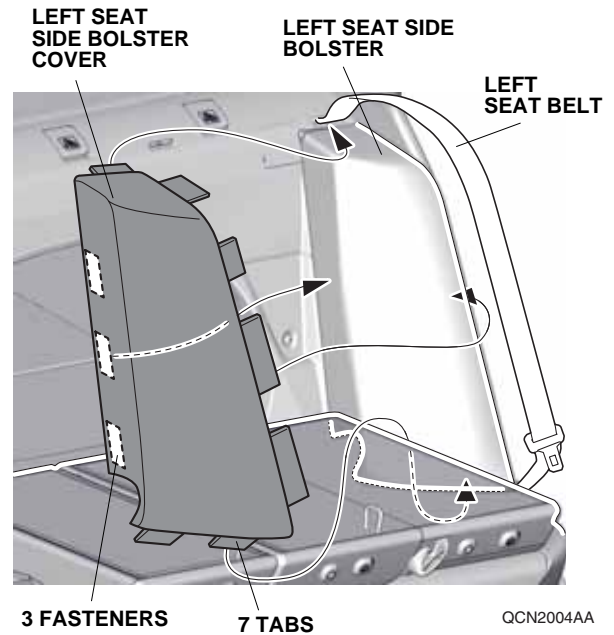
2. Fit the three head restraints covers over the head restraints.

### Installing the Seat Side Bolster Covers

3. Pull out the center seat belt from the seat belt guide.



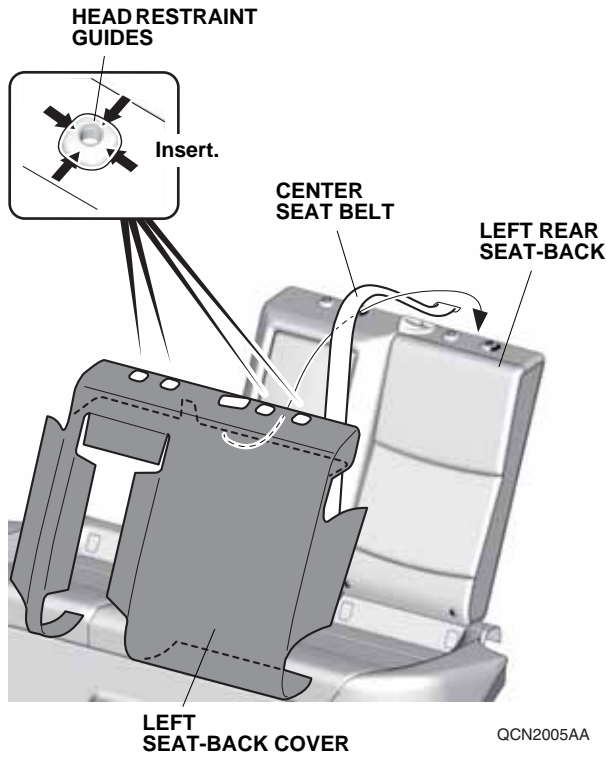
4. Open the trunk. Pull the lever, and fold the rear seat-back forward.
5. Fit the left seat side bolster cover onto the left seat side bolster through the left seat belt. Insert the tabs to the bolster. Secure the fasteners to the bolster.



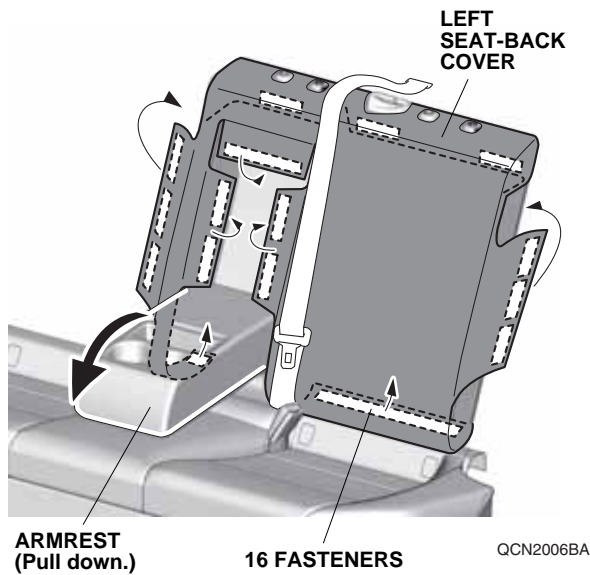
6. Repeat step 5 to install the right seat side bolster cover.

**Installing the Seat-Back Covers and Armrest Cover**

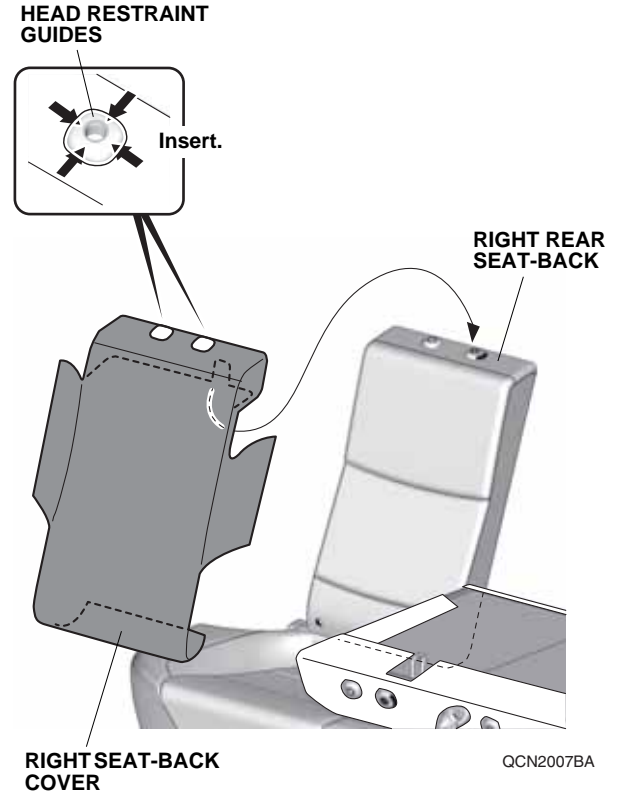
7. Route the center seat belt through the left seat-back cover, and fit the left rear seat-back cover to the left rear seat-back. Tuck the cover under each head restraint guide.



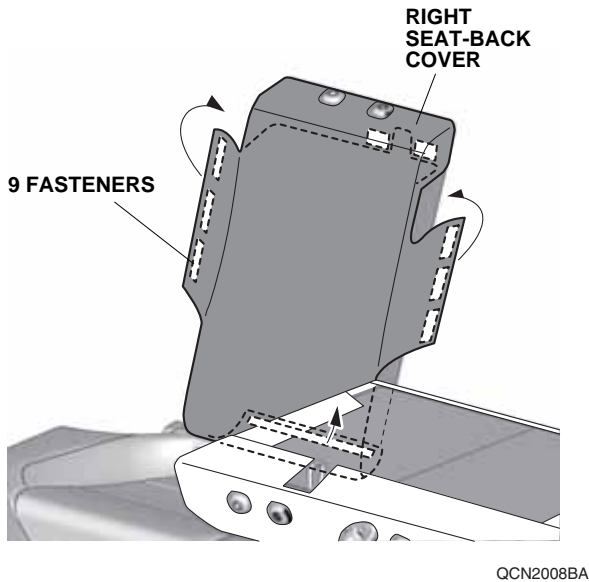
8. Pull down the armrest, and secure the fasteners to the seat-back.



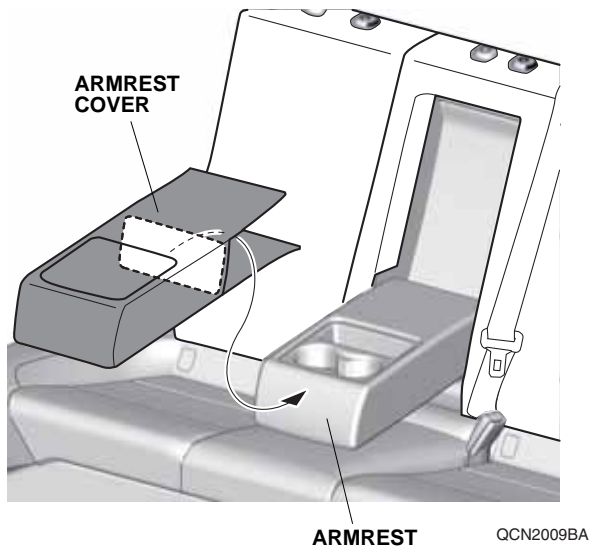
9. Fit the right seat-back cover onto the right rear seat-back. Tuck the cover under each head restraint guide.



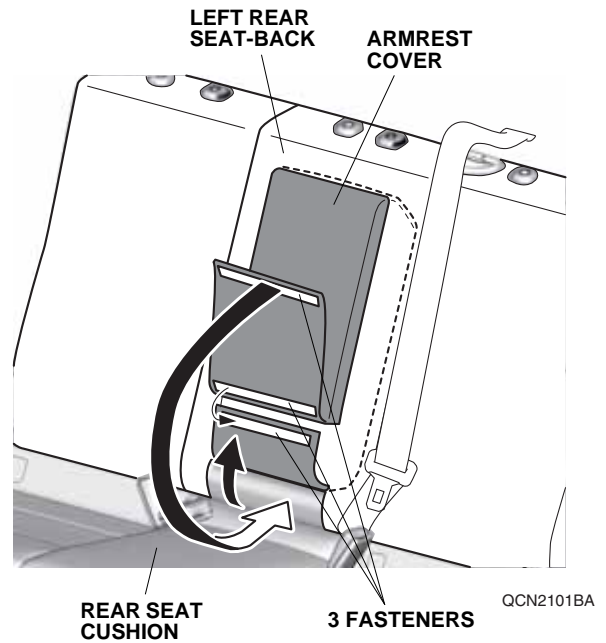
10. Secure the fasteners to the seat-back.



11. Secure the armrest cover to the armrest.



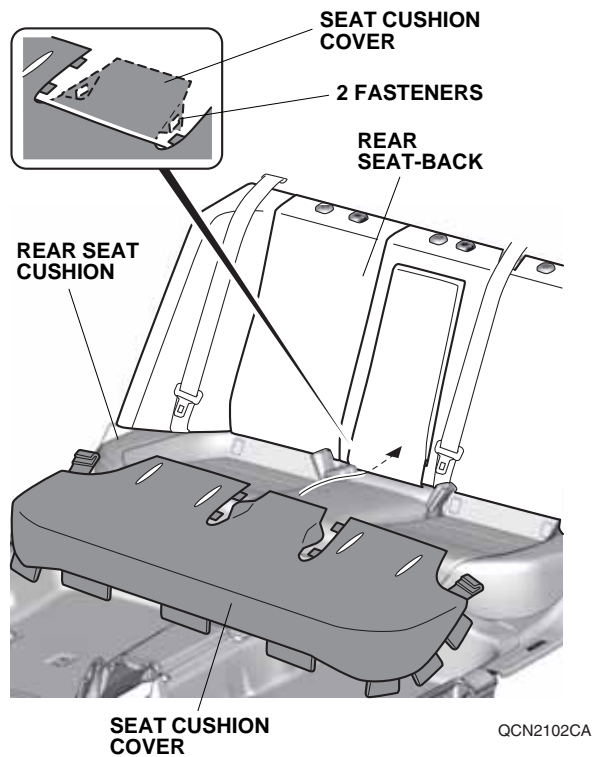
12. Raise the armrest. Pull out the armrest cover between the armrest and left rear seat-back, and secure the fasteners on the armrest cover as shown.



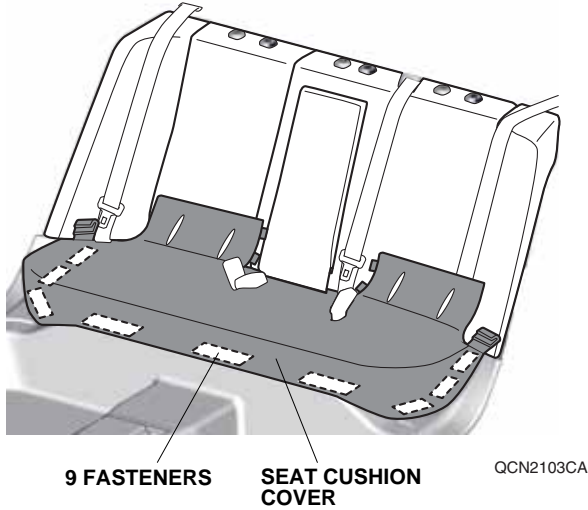
13. Insert the armrest cover between the left rear seat-back and the rear seat cushion. Secure the fastener to the rear seat-back.

**Installing the Seat Cushion Cover**

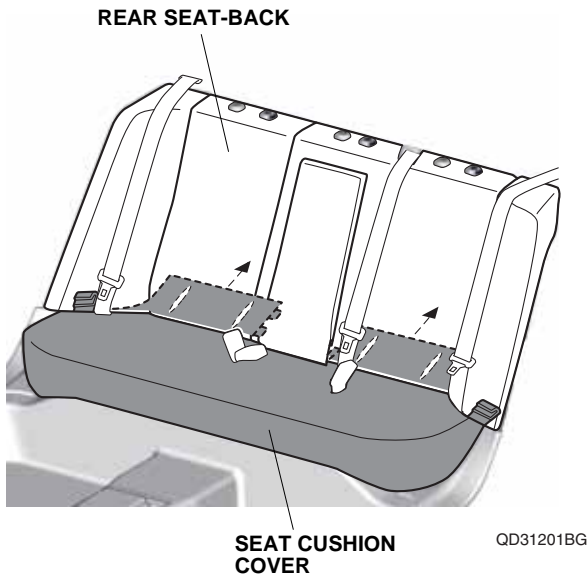
14. Start from middle of the seat cushion cover. Insert the seat cushion cover between the rear seat-back and rear seat cushion.



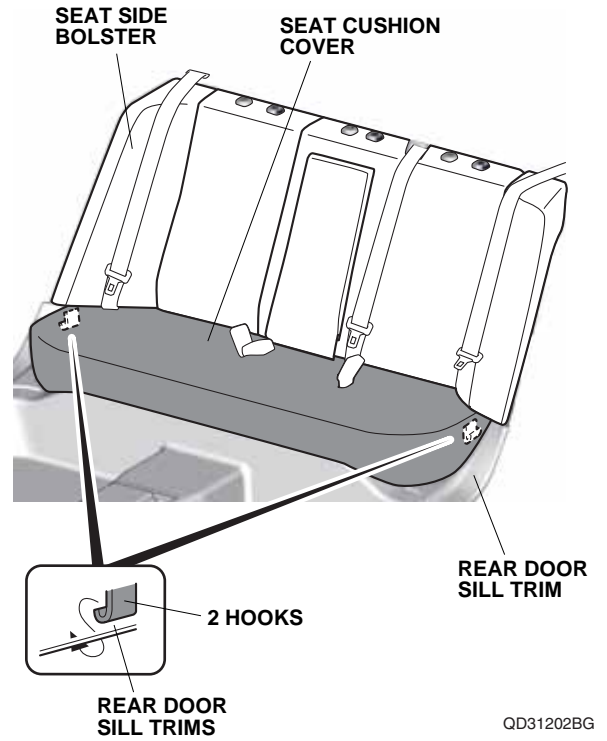
15. Secure the fasteners to the rear seat cushion.
16. Fit the seat cushion cover onto the rear seat cushion. Secure the fasteners to the rear seat cushion.



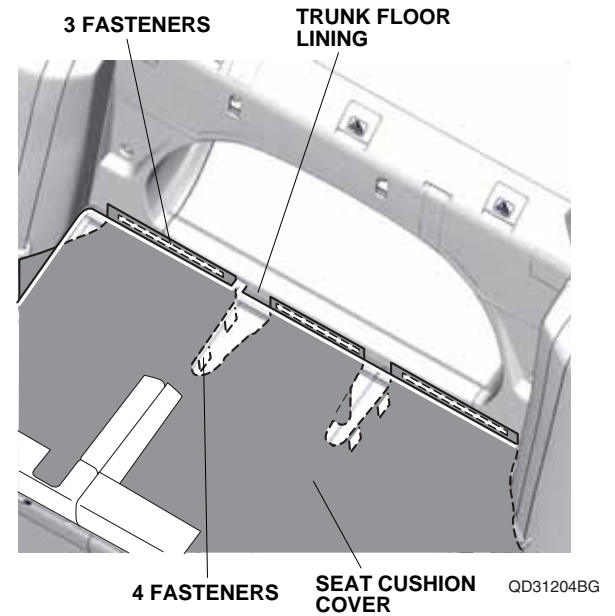
17. Insert the seat cushion cover between the rear seat-back and rear seat cushion.



18. Secure the two hooks to the rear door sill trims.



19. Pull the lever, and fold both rear seat-backs forward.



20. Secure the fasteners to the trunk floor lining and rear seat cushion.
21. Reinstall the head restraints.